

**PYROGRAPHY STATION**  
**TEMPERATURE-CONTROLLED**

# OPERATION INSTRUCTION

English

Made in China

Thank you for purchasing this product. Please read the manual carefully before operating and keep this manual for future reference.

Statement: The company reserves the right to improve & upgrade products, product specifications and design are subject to change without notice.

● This product should not be thrown in the garbage. In accordance with the European directive 2012/19/EU, electronic equipment at the end of their life must be collected & returned to an authorized recycling facility. ● Este producto no debe desecharse en la basura. De acuerdo a la directiva europea 2012/19/EU, los equipos electrónicos al final de su vida se deberán recoger y trasladar a una planta de reciclaje autorizada. ● Dieses Produkt sollte nicht mit dem Hausmüll entsorgt werden. In Übereinstimmung mit der europäischen Richtlinie 2012/19/EU müssen elektronische Geräte am Ende ihrer Lebensdauer eingesammelt und einem autorisierten Recyclingbetrieb zugeführt werden.

01

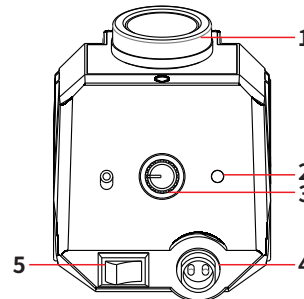
## SPECIFICATION

	939 V	939 VI	939D V	939D VI
Temperature Range	250°C~750°C/482°F~1382°F			
Main Unit Dimensions	L130*W86*H95mm ±5mm			
Display	Dial	Dial	Nixie LED	Nixie LED
Operating Ambient Temperature	0~40°C/ 32~104°F			

02

## II. PRODUCT DIAGRAM

939 V

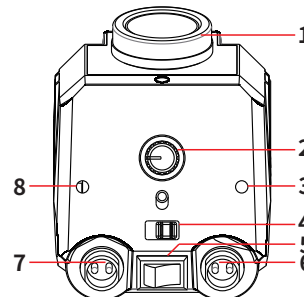


1. Pyrography Tips Storage Tin
2. Operating Indicator Light
3. Dial (Temperature Adjustment)
4. Receptacle (Pyrography Pen)
5. Power Switch

## I. APPLICATIONS

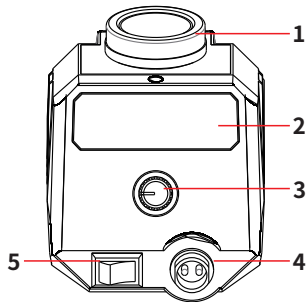
This station is suitable for pyrography works on gourds, woods, leather, wheat stalks, tree barks, bamboos, furniture, and more.

939 VI



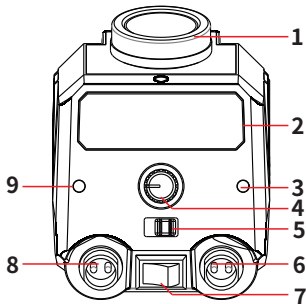
1. Pyrography Tips Storage Tin
2. Dial (Temperature Adjustment)
3. Operation Indicator (Pen B)
4. Pen Selector Switch (When toggled to A, Pen A operates; When toggled to B, Pen B operates)
5. Power Switch
6. Receptacle (Pen B)
7. Receptacle (Pen A)
8. Operation Indicator (Pen A)

## 939D V



1. Pyrography Tips Storage Tin
2. Temperature Display (Simulated Temperature Value)
3. Dial (Temperature Adjustment)
4. Receptacle (Pyrography Pen)
5. Power Switch

## 939D VI



1. Pyrography Tips Storage Tin
2. Temperature Display (Simulated Temperature Value)
3. Operation Indicator (Pen B)
4. Dial (Temperature Adjustment)
5. Pen Selector Switch (When toggled to A, Pen A operates; When toggled to B, Pen B operates)
6. Receptacle (Pen B)
7. Power Switch
8. Receptacle (Pen A)
9. Operation Indicator (Pen B) A

03 04

05 06

## III. OPERATION

1. Insert the spring into the slot located at the rear of the station, and secure the installation by pushing the spring all the way down as per the graphs below.
2. Refer to the "Maintenance & Precaution" section of this manual for the installation of pyrography tips.
3. Connect the pyrography pen to the station, and place the pen into the holder (spring-shaped).
4. Turn ON the power switch, the pyrography tip will begin heating, and the operating indicator light will turn ON. Set the desired temperature and begin your work once the temperature reaches the set temperature.
5. Once the operation is complete, place the pen back to the pen holder, then turn OFF the power switch. If the station is not in use for an extended period, disconnect the power plug.
6. Basic Introduction to Pyrography Tips (NOTE: The pyrography tips are optional accessories that are not included in the product, please contact our official store for purchase.)

## IV. THE USE OF PYROGRAPHY WIRE NIBS



**Point Tip** –  
For outlining, thin lines, and detailing.



**Spoon Nib** –  
For texts, detailing, low-temperature depth-of-field shading.



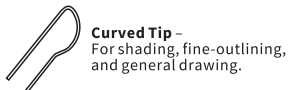
**Skewed Point Nib** –  
For shading, outlining.



**Skewed Sharp Shader** –  
For Fine-Shading, Fine-Detailing, and Feathers



**Skewed Flat Shader** –  
For shading, feathering, outlining & cutting with the blade edge.



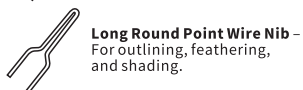
**Curved Tip** –  
For shading, fine-outlining, and general drawing.



**Diamond Point Nib** –  
For detailing and outlining.



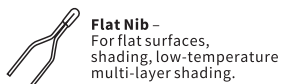
**Round Wire Nib** –  
For outlining, and feathering.



**Long Round Point Wire Nib** –  
For outlining, feathering, and shading.



**Long Sharp Flat Nib** –  
For outlining, fine-feathering, and fine shading.



**Flat Nib** –  
For flat surfaces, shading, low-temperature multi-layer shading.



**Knife Shader** –  
For feathers, fine-lines, shading, low-temperature depth-of-field shading.



**Skewed Round Shader** –  
For shading large surfaces, and outlining.



**Skewed Point Nib** –  
For outlining small-area.



**Skewed Sharp Nib** –  
Feathering, fine-outlining, cutting & carving, and detailing.



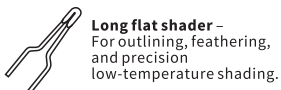
**Curved Flat Shader** –  
For shading, fine-feathering, outlining, and cutting & carving.



**Diamond Flat Shader** –  
For shading, outlining and cutting & carving.



**Flat Round Shader** –  
For outlining, feathering, and shading.



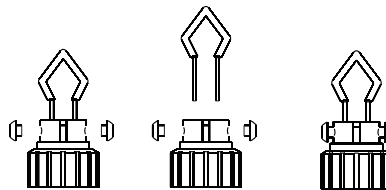
**Long flat shader** –  
For outlining, feathering, and precision low-temperature shading.



**Long Flat Shader XL** –  
For outlining, feathering, shading, and cutting.

## V. MAINTENANCE & PRECAUTIONS

**Replacing the pyrography pen nibs**  
Unscrew the screws → Remove the nib → Install the new nib  
→ Fasten the screws.



**CAUTION:** The pyrography pen nib can only be replaced when the nib is cooled off. Ensure the nib is installed all the way in.